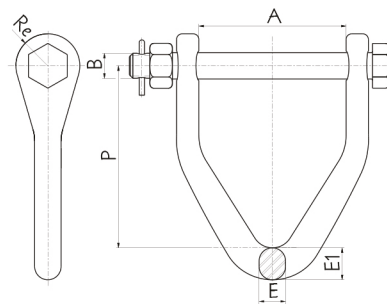


Cavalote

Estribo

Shackle



Referência N° Catalogo Cat. Number	Ruptura Rotura Ultimate Strength (kN)	Dimensões Dimensiones Dimensions (mm)						Peso Peso Neto Net Weight (kg)
		A	B	E	E1	P	Re	
F1212-03	120	80	5/8"	19	19	116	23	1,199
F1214-02	120	106	3/4"	15	21	131	21	1,315
F1214-05	120	106	5/8"	15	21	131	21	1,171
F1230	120	80	3/4"	19	19	80	22,5	1,201
F1230-03	120	80	5/8"	19	19	80	22,5	1,074
F1230-04	120	106	5/8"	19	19	80	22,5	1,142
F1230-06	120	68	5/8"	19	19	90	22,5	1,027
F1240-10	120	106	5/8"	19	23	131	23	1,362
F1212-02	150	80	3/4"	19	19	116	23	1,326
F1240	240	106	3/4"	19	23	131	23	1,507
F1240-01	240	108	7/8"	19	23	131	23	1,710
F1240-04	240	80	7/8"	19	23	145	23	1,666
F1240-08	240	80	3/4"	19	23	136	23	1,449
F1240-14	240	68	3/4"	19	23	140	23	1,450
F1240-22	240	106	7/8"	19	23	131	23	1,729
F1241-05	240	80	7/8"	20	29	152	29	2,525
F1241-08	240	108	3/4"	20	29	145	29	2,283
F1241	320	108	7/8"	20	29	145	29	2,471
F1239-04	360	106	1"	31,7	31,7	150	37	4,781
F1241-04	360	108	1"	20	29	145	29	2,723
F1239-01	480	106	1.1/4"	31,7	31,7	150	37	5,457

MATERIAL: Aço forjado galvanizado a quente
Acero forjado galvanizado en caliente
Forged steel, hot dip galvanized